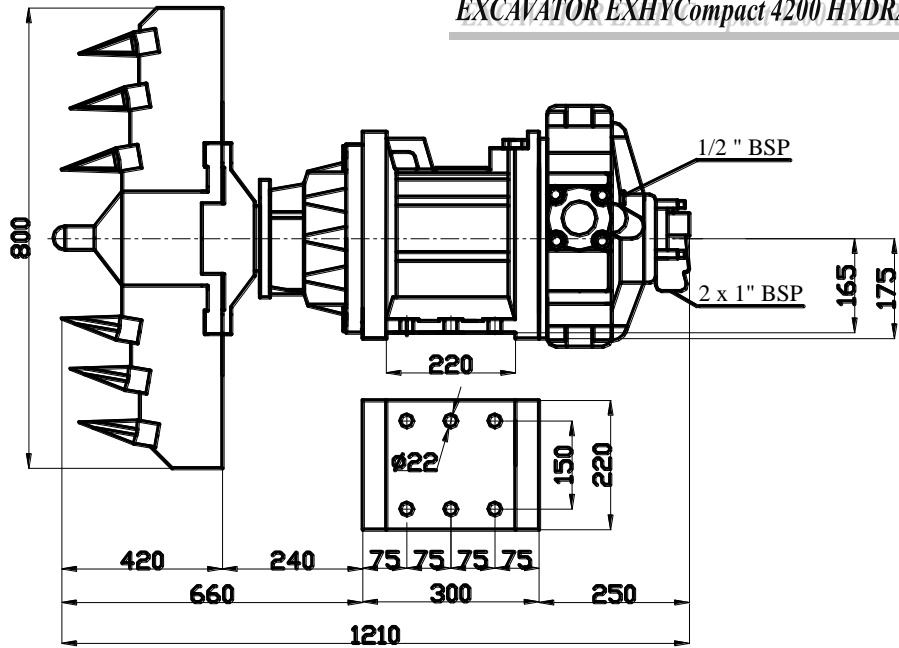


# HYDRAULIC DREDGING SYSTEMS

*EXCAVATOR EXHYCompact 4200 HYDRAULIC DRIVEN*



EXHYC 4200 CONTINUOUS DUTY DAUERBETRIEB SERVICE CONTINU 250 BAR/4200 Nm SPT : N-Value 55 = Cohesion Factor 5000 Gr/cm <sup>2</sup>	UPM – RPM – T/Min	50	75	100
	KW	23	35	47
	ÖL – OIL – HUILE L/Min	56	84	112
	KG	380		
	1116cc Radial Piston Motor			

COMPACT SOIL 50 – CLAY 75 – MIXING 100 RPM.  
HEAVY DUTY CONSTRUCTION. DIAMIX – HD 480 SHAFT SLEEVE.  
OVERSIZED BEARINGS. OIL FILLED HOUSING.  
SEAL PROTECTION WEAR PLATE WITH WATER FLUSH CONNECTION.  
2K PAINT.

KOMPAKTES SAND 50 – LEEM 75 – MISCHEN 100 UPM.  
SCHWERAUSFUHRUNG. DIAMIX – HD 480 WELLENSCHUTZHUELSE.  
UBERDIMENSIONIERTE LAGER. OELGEFULT GEHAUSE.  
SCHLEISSPLATTE MIT SPERWASSERANSCHLUSS.  
2K FARBE.

SABLE COMPACT 50 – ARGILE 75 – MIXAGE 100 T/MIN.  
CONSTRUCTION ROBUSTE. CHEMISE D'ARBRE EN DIAMIX – HD 480.  
ROULEMENTS SURDIMENSIONES. BAIN D'HUILE.  
PLAQUE D'USURE AVEC RACCORDEMENT EAU DE BARRAGE.  
PEINTURE 2K.

